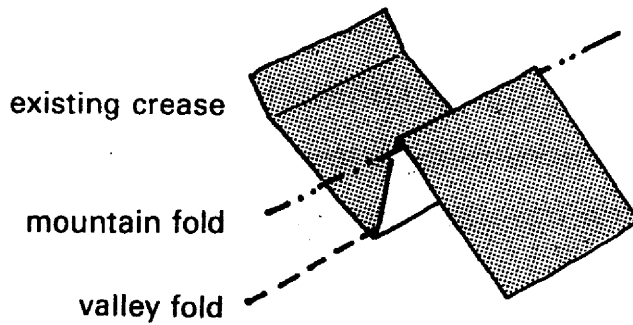


SYMBOLS



fold towards you

fold away from you

crease and unfold

x-ray view

repeat behind once

repeat behind twice ... etc

turn the model over

unfold

the drawings now become larger

apply pressure to this point

lay one spot on top of the other

inflate (blow in to)

cut

equal angles

turn the model upside-down

reverse folds

